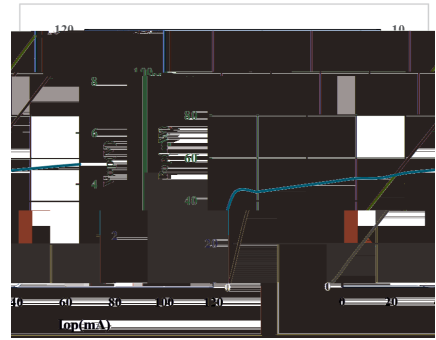
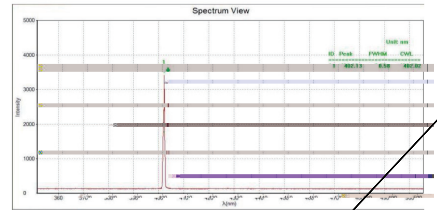


---

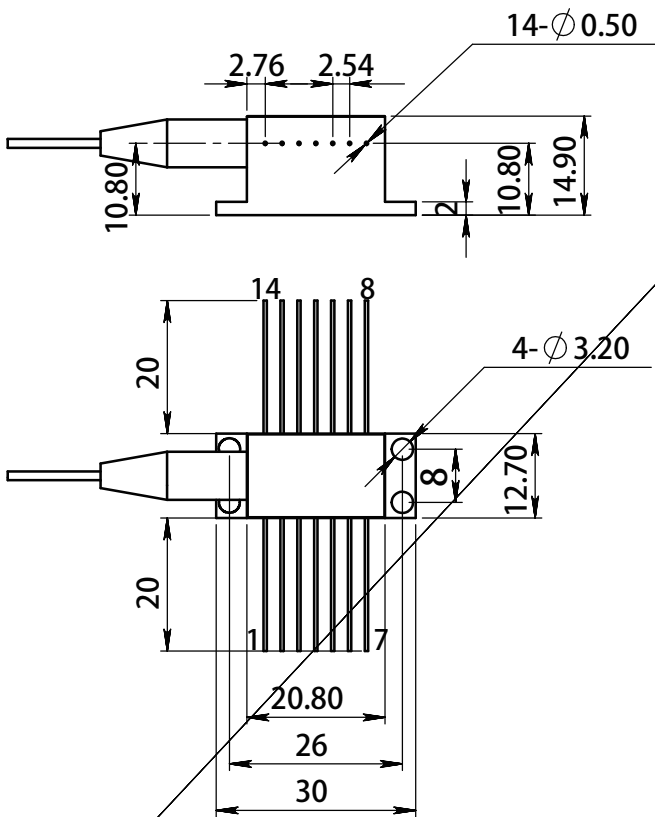
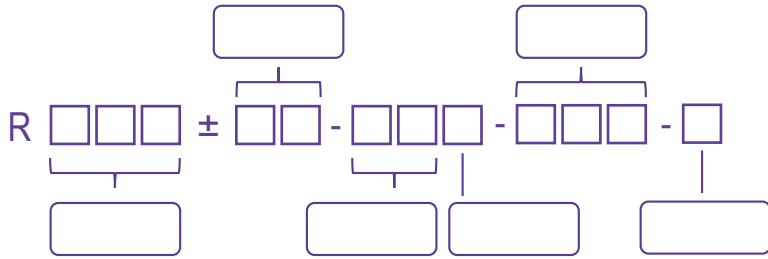


405nm P-I-V



405nm

405nm 450nm



520nm

